

TECHNICAL SERVICE BULLETIN

To: [Distributor/Customer]

From: Minuteman Technical Support

Date: 6/8/2020

Subject: TSB for ECN 151091 – Squeegee Design Change

Reason for Change

1. To improve performance.
2. To improve service ability.

Improvement

1. The squeegee assembly is easier to service.
 2. Improved water recovery.
-

Models/Serial Numbers Affected

All A-MR20DQP, A-MR20QPG, A-MR20DSQP, A-MR20DSQPG (Gen 2) and MR20-AIQP. Machines with serial number 20030025 and higher will have the new parts installed from the factory.

Use the K-246941 Kit – when replacing older part numbers 246075, 246074 and 246057 or machines with serial numbers before 20030025.

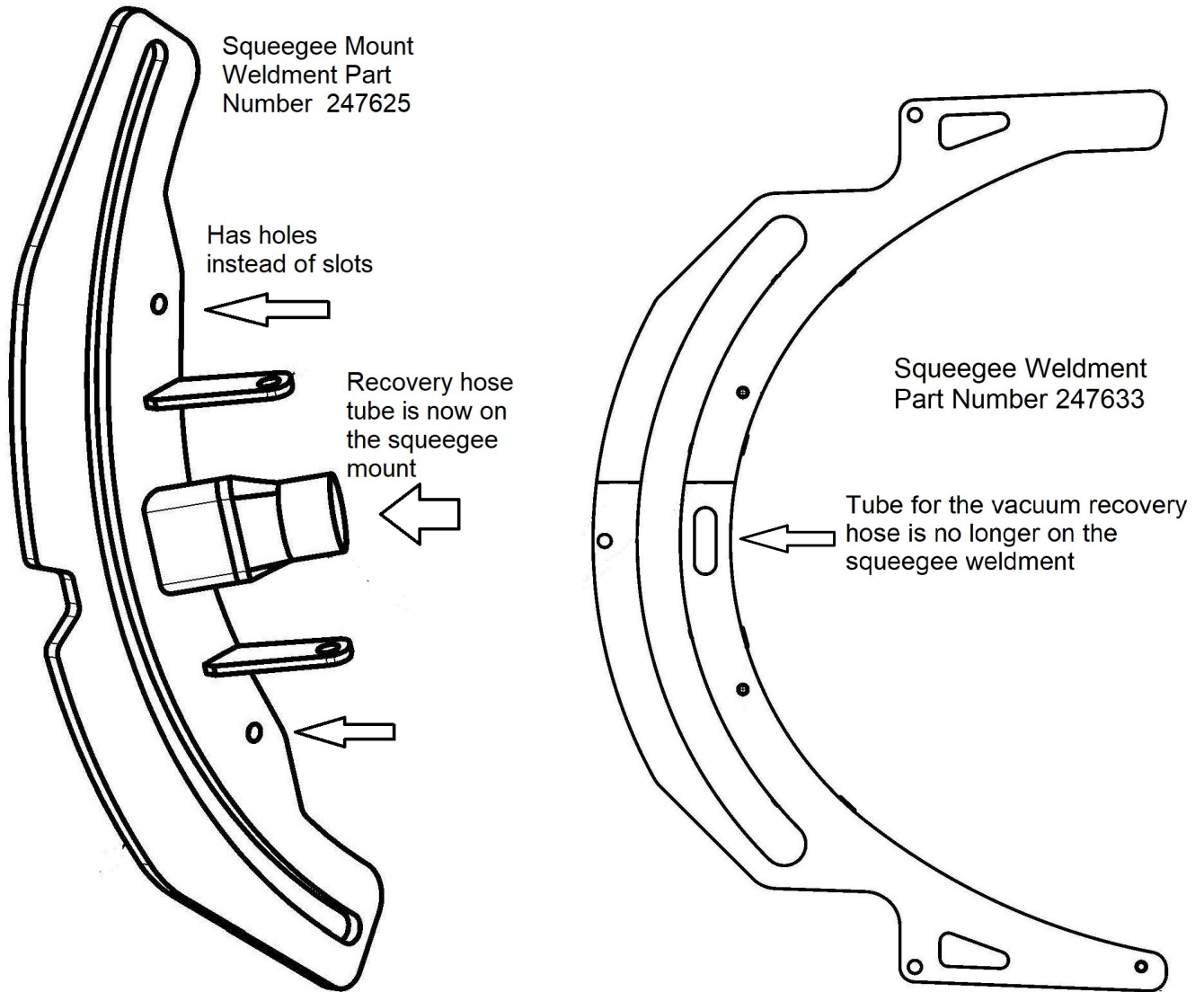
The kit part number K-246941, includes the following parts:

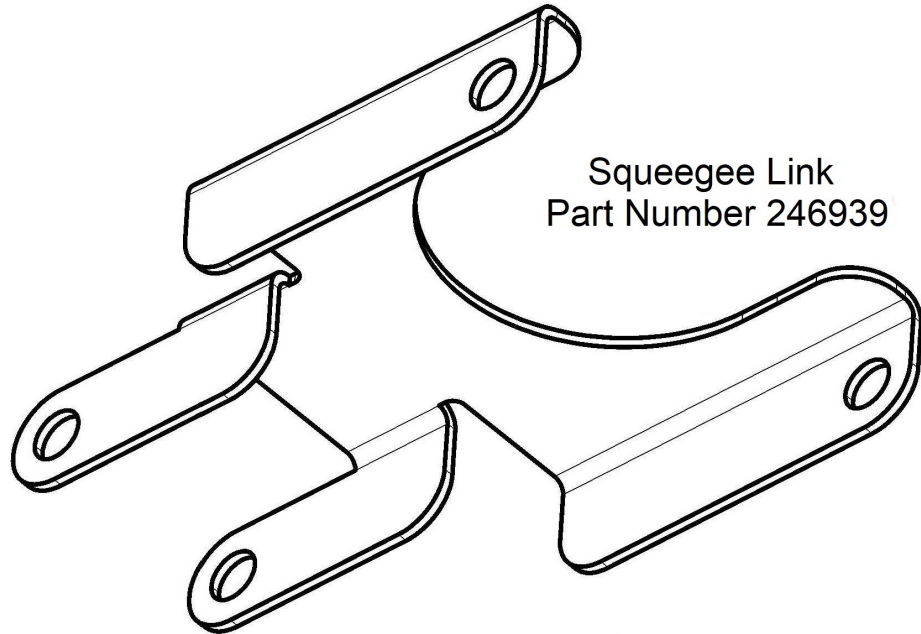
- 246939 Squeegee Link (Qty. 1)**
- 247625 Squeegee Mount Weldment (Qty. 1)**
- 247633 Squeegee Weldment (Qty. 1)**

The pictures of new parts are on following pages.

Informational Only

For further assistance, questions, or comments contact Technical Support at 800-982-7141 (USA)





Squeegee Link
Part Number 246939